

Upgrading the 1971 Side Stand Lug

Summary:

This article covers the procedure of replacing the existing side stand lug on the 1971 Commando with the later version bracket.

There are two reasons to upgrade the '71 side stand lug. 1) The pin on the 1971 machine holding the side stand would break off and 2) the side stand is no longer available.

There are bolt-on side stands available that fit around the frame tube but these bolt-on stands tend to crimp the frame tube if used improperly.

This procedure is normally done when a complete frame up restoration is being performed.



Photo 1: The stock side stand lug on a 1971 frame, looking at the bottom of the bracket.



Photo 2: Frame with the new bracket installed.

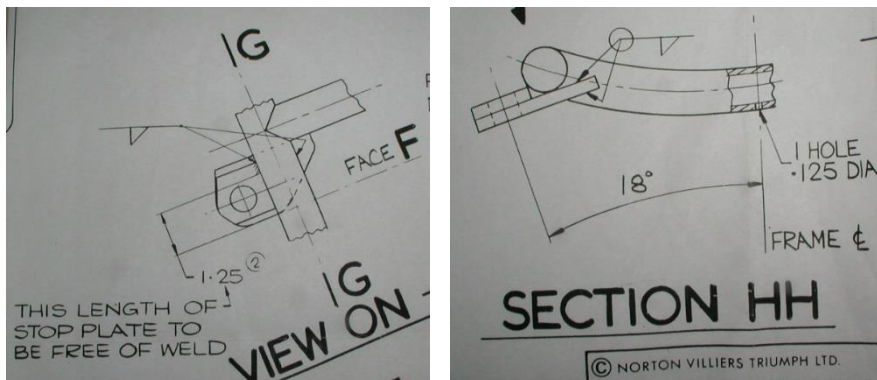
Procedure:

Remove the old bracket by cutting and grinding off the old bracket, trying not to damage the frame tubes.



Photo 3: The frame with the old bracket removed and the new bracket to be installed.

This is how the new bracket is to be positioned and welded to the frame.



This is a pattern to set the new bracket at the correct angle.

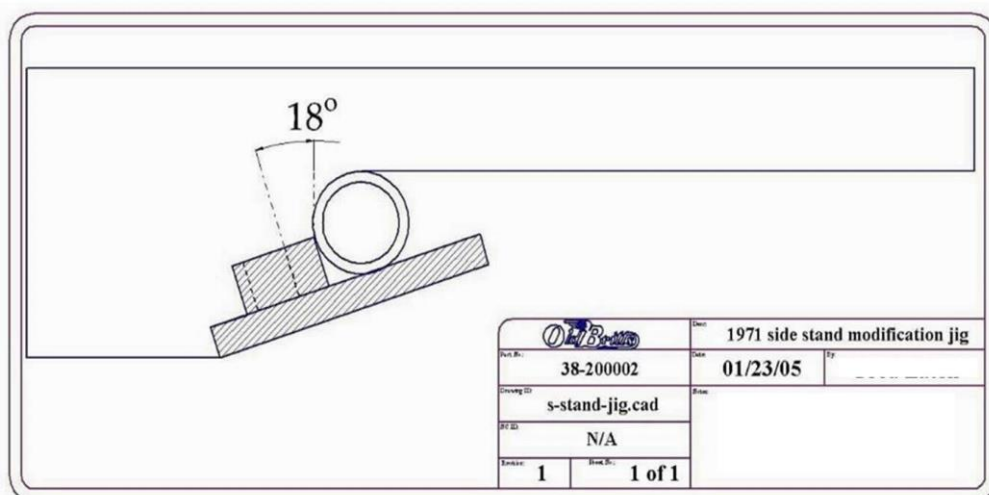


Photo 4: A picture of the pattern drawing.

A picture of the new bracket held to the frame with spring clamps and using our pattern to get the correct placement. A square tube is positioned across both lower frame tubes just above where the new bracket is to be welded.

Please Note: Do not weld the top part of the bracket to the frame in the centre. Allow room for the nut and washer holding the side stand to fit flush against the top of the bracket. The second picture in this article shows the welds just on the end of the top.